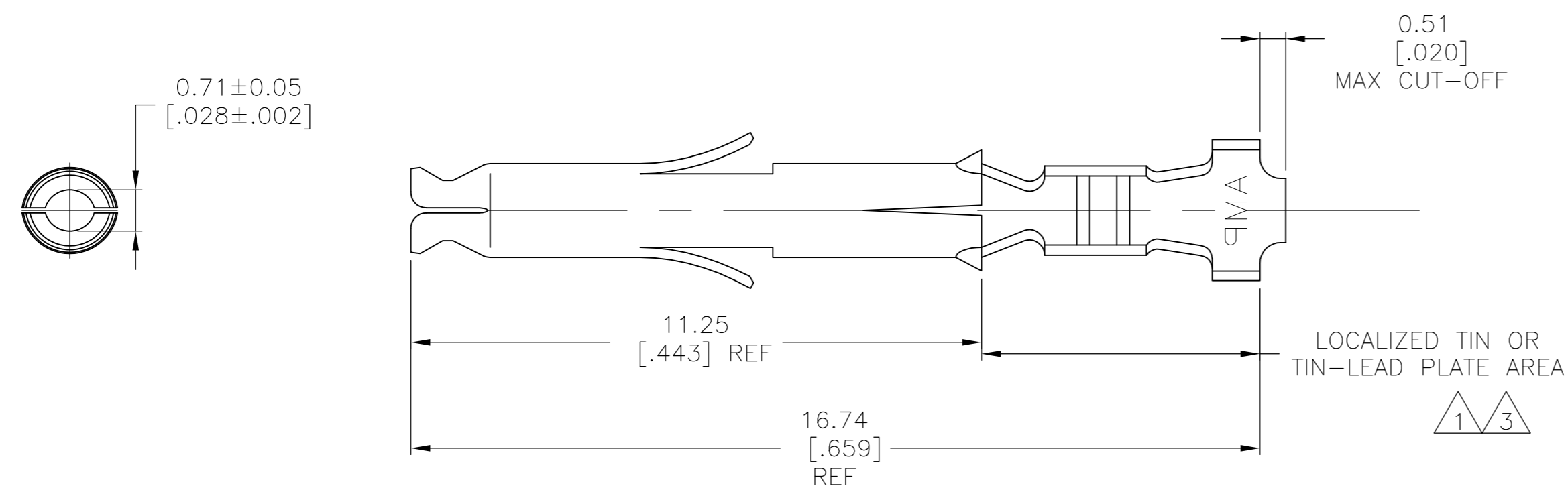
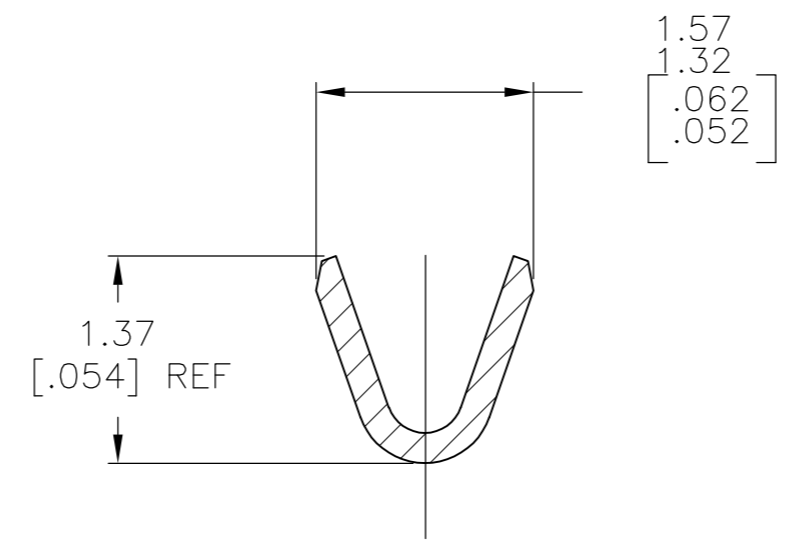
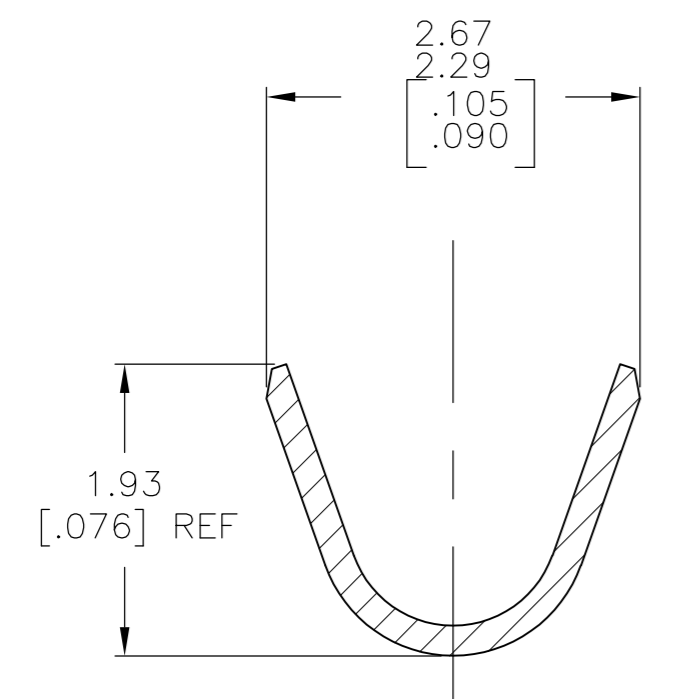
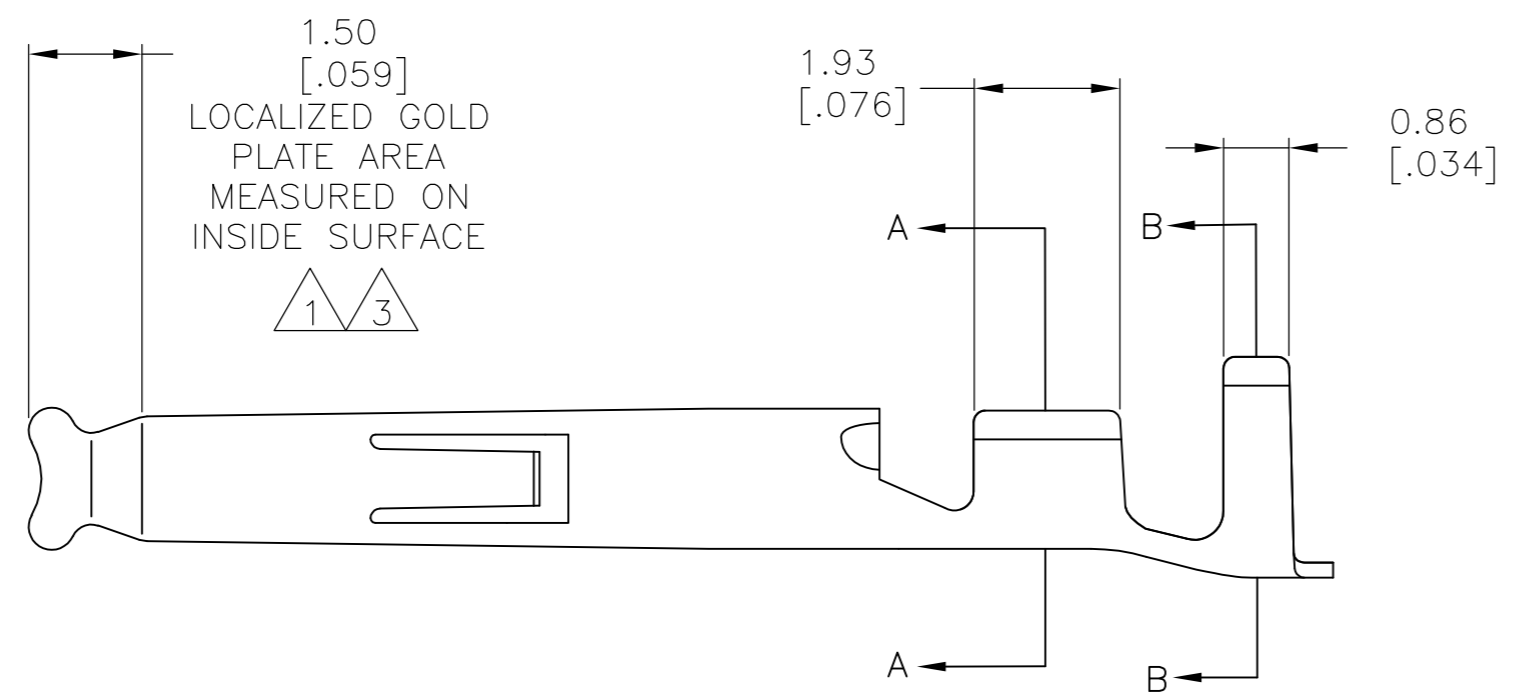


THIS DRAWING IS UNPUBLISHED. RELEASED FOR PUBLICATION  
 © COPYRIGHT - By - ALL RIGHTS RESERVED.

LOC		DIST		REVISIONS			
P	LTR	DESCRIPTION		DATE	DWN	APVD	
CM	00	P1		REVISED PER ECO-11-004820	11MAR11	RK HMR	



- 1 0.00076 [.000030] MIN GOLD IN LOCALIZED GOLD PLATE AREA AND 0.00254 [.000100] MIN BRIGHT TIN-LEAD IN LOCALIZED TIN-LEAD PLATE AREA OVER 0.0013 [.000050] MIN NICKEL.
- 2. WIRE RANGE: 0.5-0.15 mm<sup>2</sup>(30-26 AWG)
- 3 0.00076 [.000030] MIN GOLD IN LOCALIZED GOLD PLATE AREA AND 0.00254 [.000100] MIN MATTE TIN IN LOCALIZED TIN PLATE AREA OVER 0.0013 [.000050] MIN NICKEL.



FINISH	MATERIAL	PART NUMBER
3	0.20 [.008] PH BRZ	1-770834-1
3	0.20 [.008] BRASS	1-770834-0
1	0.20 [.008] PH BRZ	770834-6
PRE-TIN	0.20 [.008] PH BRZ	770834-4
1	0.20 [.008] BRASS	770834-3
PRE-TIN	0.20 [.008] BRASS	770834-1

THIS DRAWING IS A CONTROLLED DOCUMENT.

DWN S. HOOVER 17OCT02		TE Connectivity	
CHK C. JONES 17OCT02		NAME	
APVD C. JONES 17OCT02		SOCKET, MINI UNIVERSAL MATE-N-LOK(TM)	
PRODUCT SPEC		SIZE A2	CAGE CODE 00779
MATERIAL -	FINISH -	WEIGHT -	RESTRICTED TO -
CUSTOMER DRAWING		SCALE 10:1	SHEET 1 OF 1

METRIC

770834